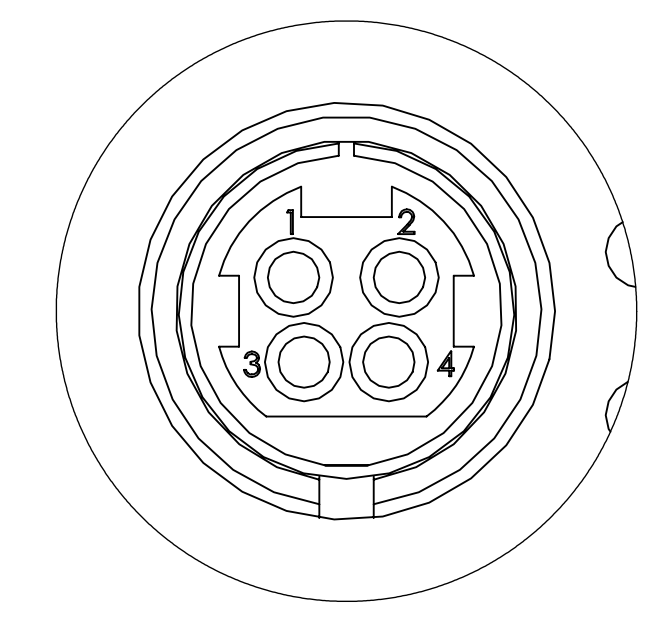
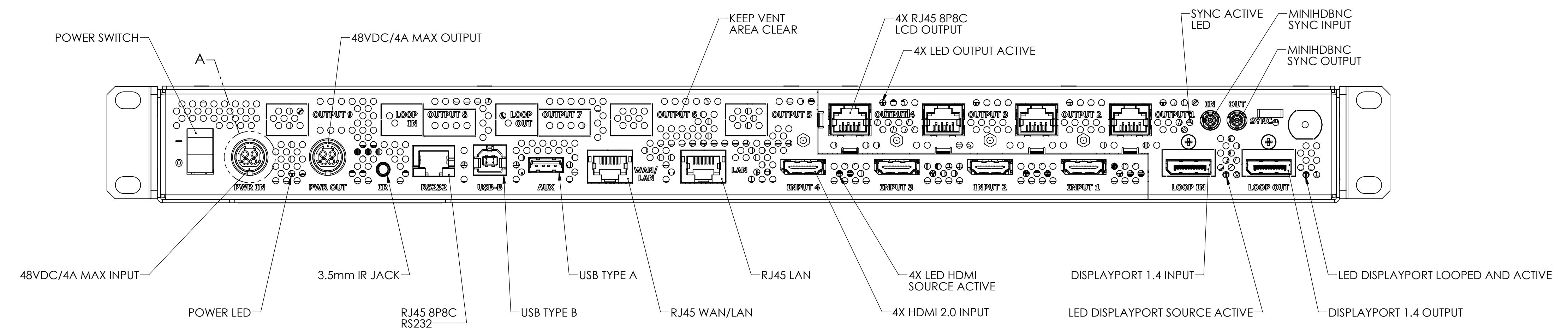
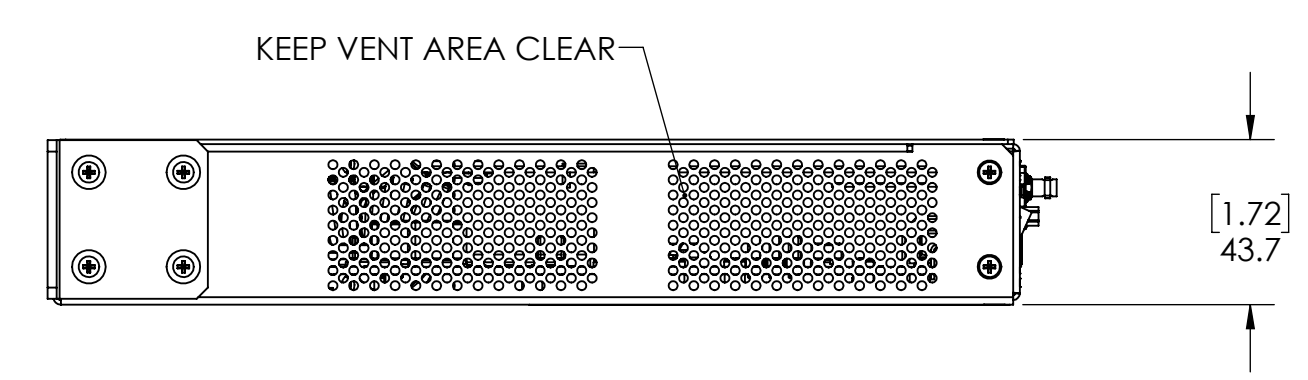
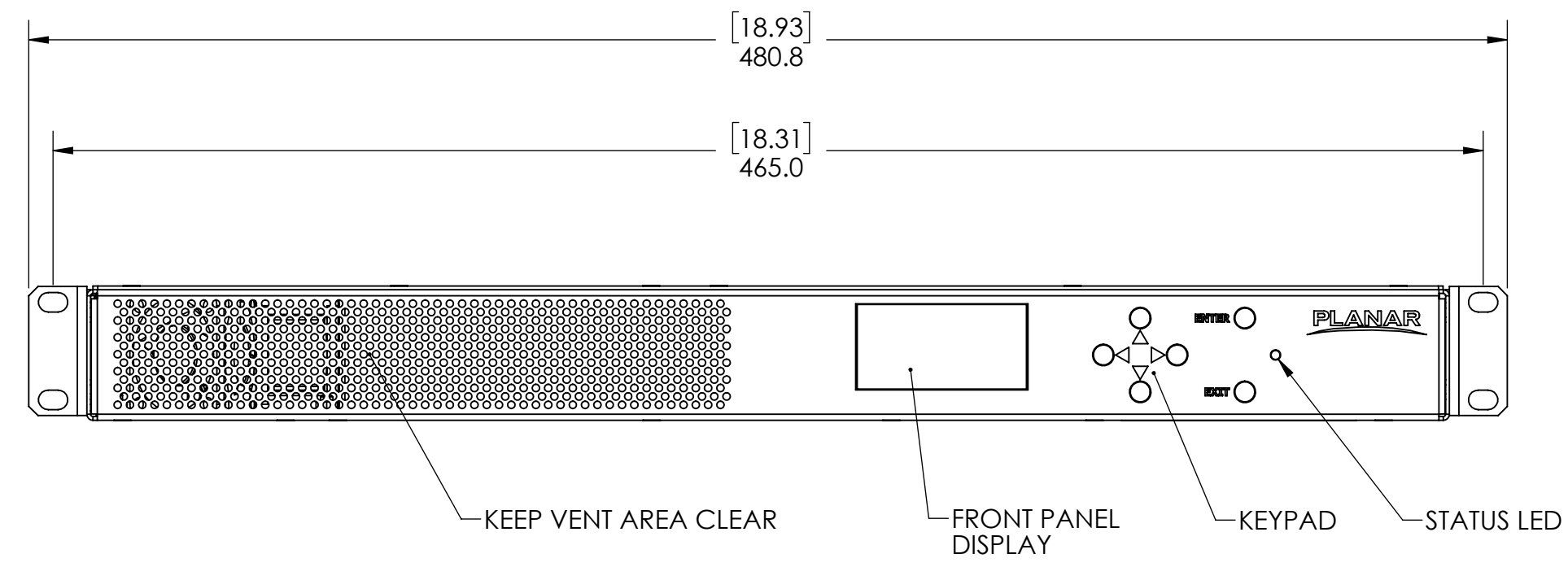
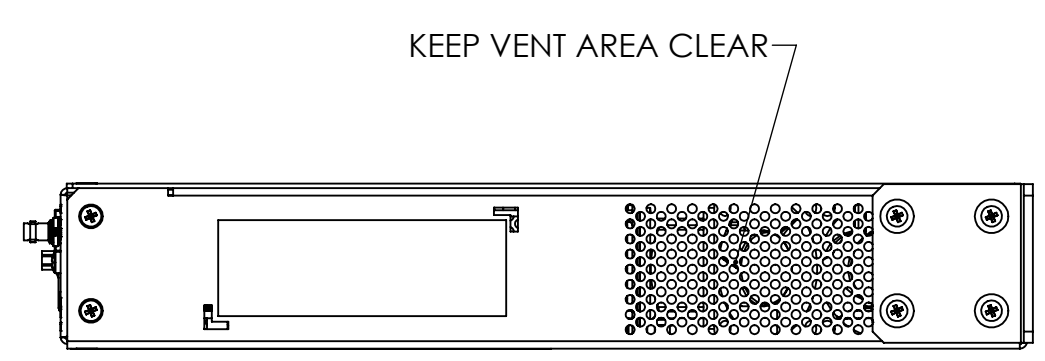
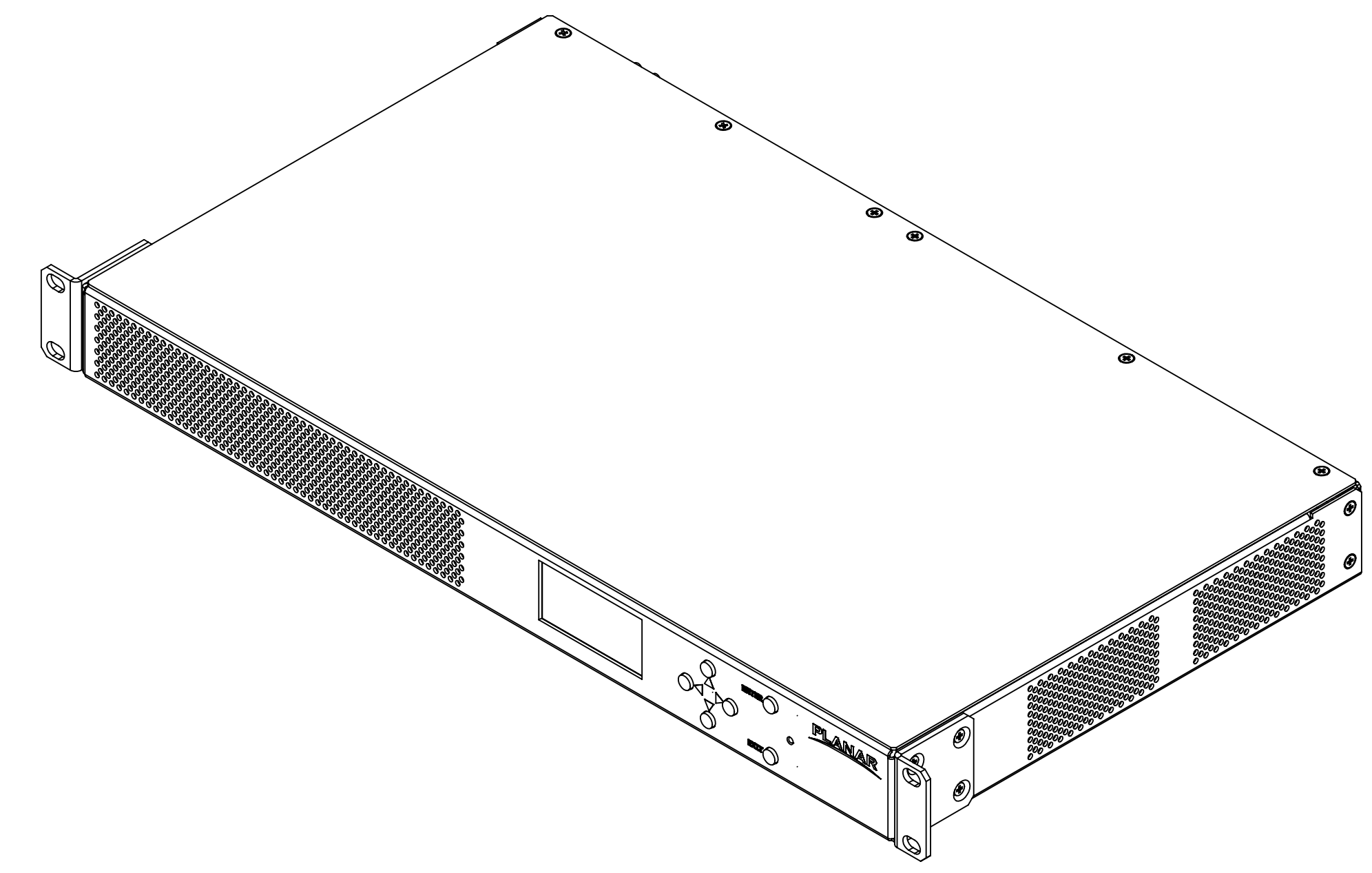
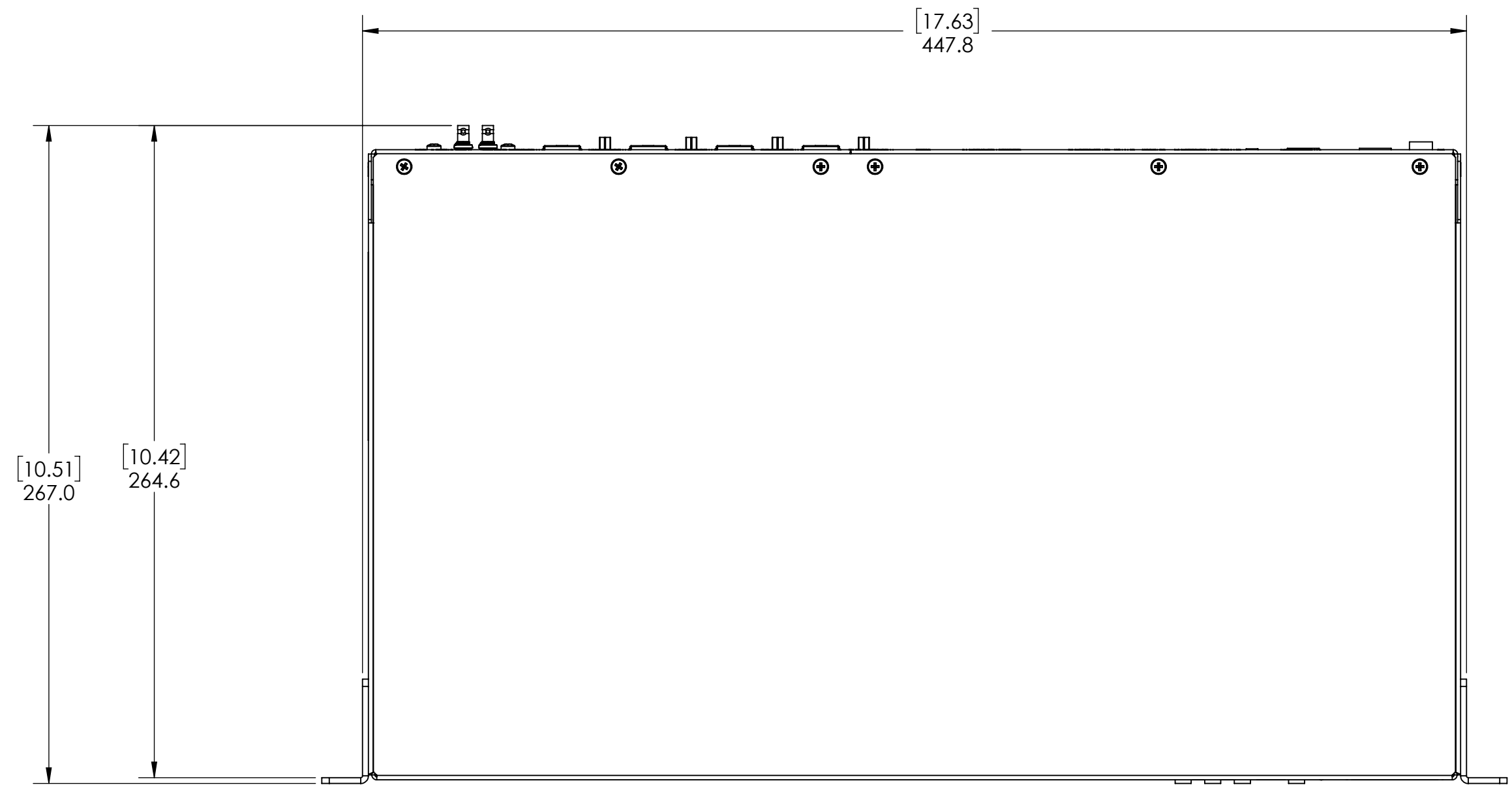


REVISION HISTORY					
ECO	ZONE	REV.	DESCRIPTION	DATE	APPR'D
		B	GENERAL UPDATE	2/25/2020	EJS



DETAIL A
SCALE 4 : 1



- 2. 4-PIN MINIDIIN POWER 48V/4A MAX
PINS 1 AND 2 ARE + (POSITIVE); PINS 3 AND 4 ARE - (GROUND).
- 1. SPECIFICATIONS SUBJECT TO CHANGE WITHOUT NOTICE.
- NOTES: UNLESS OTHERWISE SPECIFIED.

UNLESS OTHERWISE SPECIFIED: DIMENSIONS ARE IN MILLIMETERS [INCHES]		ENGR BY	05 Oct 17	 <small>PLANAR SYSTEMS, INC. 1195 NE COMPTON DRIVE HILLSBORO, OR 97006 USA</small>
TOLERANCES:		DRAWN BY	EJS	
X= ±1	XX= ±.25	CHECKED BY		VIDEO CONTROLLER, HDMI/DP LOOP, 4 CAT6 OUTPUT
.X= ±.5	∠= ±1°	USED ON		
DIMENSIONING AND TOLERANCING PER ASME Y14.5M-1994		MATERIAL		SIZE
THIRD ANGLE PROJECTION		FINISH		PART NO
				VC4H-BP+
				DRAWING NO
				VC4H-BP+ Outline
				REV
				A
				SCALE
				1:2
				DO NOT SCALE
				SHEET
				1 OF 1

THIS DRAWING CONTAINS INFORMATION PROPRIETARY TO PLANAR SYSTEMS, INC. ANY REPRODUCTION IN PART OR WHOLE WITHOUT THE WRITTEN PERMISSION OF PLANAR SYSTEMS IS PROHIBITED. THIS DRAWING IS SUPPLIED FOR INFORMATION, IDENTIFICATION, ENGINEERING, EVALUATION, AND/OR INSPECTION PURPOSES ONLY AND MAY NOT BE USED AS BASIS FOR THE MANUFACTURING OF PRODUCTS OR THE FURNISHING OF SERVICES TO PLANAR SYSTEMS OR TO ANY THIRD PARTY UNLESS AUTHORIZED IN WRITING BY PLANAR SYSTEMS.